

# 82070

## Katrin Plastic Dispenser For System Paper Towel Roll, Black

- When paper is not visible, there is an easy-to-use PUSH lever for paper feeding
- Controlled consumption and minimum resistance to draw
- High capacity: 1058 sheets per Katrin XL 1-ply roll
- Paper consumption is easy to control, thanks to the transparent side panels
- Designed to function: Low pull force cutting unit and customized Anti-jam cutting unit design
- Locks on both sides of the dispenser for more flexibility when the dispenser is to be opened
- Main raw materials of major plastic parts and lock: ABS (Acrylonitrile butadiene styrene), PC (polycarbonate), POM (polyoxymethylene)
- Comply with UL94 Fire Safety and Fire Protection regulations (EU)



**ISO 9001**    **ISO 14001**

### Product

Length/Depth	216 mm	Colour	Black
Width	322 mm	Gross weight	2.940 kg
Height	397 mm		

### Trading unit

Length/Depth	331 mm	Gross weight	3.42 kg
Width	418 mm	Consumer packs/ trading unit	1
Height	248 mm		

EAN



6 4 1 4 3 0 1 0 8 2 0 7 0

## Pallet

Length/Depth 1,200 mm

Gross weight 107.23 kg

EAN

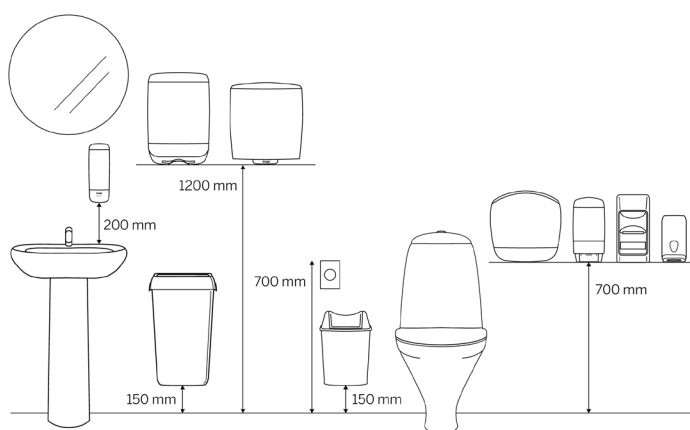


Width 800 mm

Trading units / pallet 24

Height 1,142 mm

## Measurements and Installing



## Related products

Selection from all countries. Please refer to web page for market-specific availability.



**460232**  
Katrin Dispenser Paper  
Towel Roll System Large  
2-Ply



**460201**  
Katrin Dispenser Paper  
Towel Roll System Medium  
1-Ply



**460218**  
Katrin Dispenser Paper  
Towel Roll System Medium  
1-Ply, Blue



**460102**  
Katrin Dispenser Paper  
Towel Roll System Medium  
2-Ply



**58198**  
Katrin Dispenser Paper  
Towel Roll System Medium  
2-Ply



**460263**  
Katrin Dispenser Paper  
Towel Roll System Medium  
2-Ply, Blue



**82070**  
Katrin Plastic Dispenser  
For System Paper Towel  
Roll, Black



**82537**  
Katrin Plus Dispenser  
Paper Towel Roll System



**38015**  
Katrin Plus Dispenser  
Paper Towel Roll System  
M 3-Ply



**460058**  
Katrin Plus Dispenser  
Paper Towel Roll System  
Medium 2-Ply



**57795**  
Katrin Plus Dispenser  
Paper Towel Roll System  
Medium 2-Ply